



An advanced water meter designed to bring you peace of mind from sudden flooding and long-term water intrusion. Not only does submetering and leak detection increase NOI, it also conserves our most precious resource.

Each element of Moses has been thoughtfully considered. The lower housing is manufactured as one piece to create a more robust, more serviceable, and more efficient meter. An array of high-quality sensors continuously measures your buildings plumbing vitals accessible at app.kairoswater.io. You can even define real-time alerts for potential leaks based on flow or pressure, low temperature, and even tampering alerts to know when the meter is being serviced.

All these great features start at \$495.

MOSES™

FOR MOMENTS WHEN SECONDS MATTER

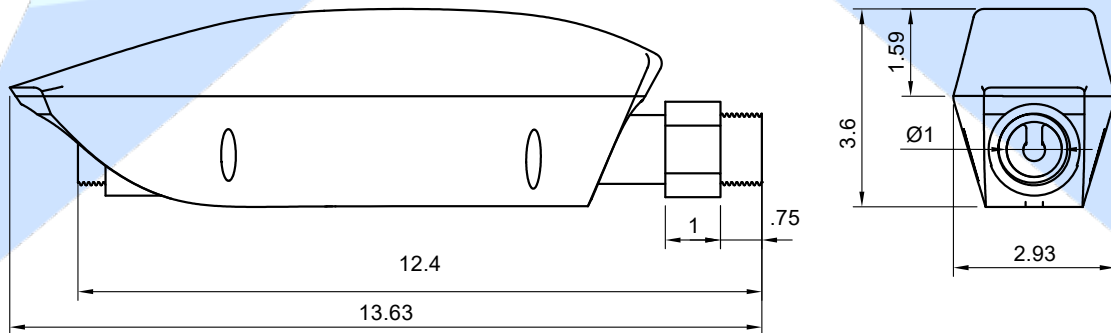
DISTINGUISHING FEATURES

- Completely cordless and wireless
- 10-years of battery life
- High signal penetration¹
- Long range²
- Automatic, configurable remote shut-off valve
- Real-time plumbing vitals including flow rate, temperature, and pressure reported to app.kairoswater.io
- RESTful API for integration with billing and monitoring systems

CERTIFICATIONS

- IP67 / MIL-STD-810H
- NSF/ANSI 61 & 372 – Drinking Water System standards for Health Effects & Lead Content
- RoHS 2011/65/EU
- FCC-Part 15 compliance
- ANSI/AWWA Standard C715-18
- LoRaWAN 1.0.3

DIMENSIONS



¹ Five or more floors in a commercial high-rise, typically

² Thousands of feet, typically

The Moses Advanced Water Meter, along with the suite of Kairos monitoring devices, operate on a LoRaWAN network and require LoRa gateways to ensure coverage. The good news is that the LoRa protocol works over long ranges and with greater penetration than Wi-Fi; so, only a few gateways are required to blanket your community. The gateways start at \$180 for the hardware and \$60 per month for the application and data. More detailed pricing information is available in the [Kairos Summary Pricing Sheet](#).



The Moses Advanced Water Meter, along with the suite of Kairos monitoring devices, operate on a LoRaWAN network and require LoRa gateways to ensure coverage. The good news is that the LoRa protocol works over long ranges and with greater penetration than Wi-Fi; so, only a few gateways are required to blanket your community. The gateways start at \$180 for the hardware and \$60 per month for the application and data. More detailed pricing information is available in the [Kairos Summary Pricing Sheet](#).

Copyright 2021. Kairos Water, Inc.